

PHILIPS

Tango G4
BVP431
BVP432

Outdoor Floodlight



Part of Energy Queensland



reddot winner 2021
lighting design



New Tango

– Tango G4 LED to brighten your world

Philips Tango G4 LED Floodlight is the 4th generation of Tango LED family. Tango G4 LED family delivers higher efficacy and has optimized windage area, less weight via technical design. The new ideal solution for a wide range of Area and Recreational Sports lighting applications. It incorporates the latest LED light source, one-piece optical system, heat sink and driver into compact and robust housing that meets globally recognized safety standards. Its specially designed heat sink incorporates aesthetics and functionality to ensure excellent reliability. Powered by LED technology, this luminaire delivers superior performance and a longer lifetime, bringing area lighting to a whole new level.

Features and benefits

- Higher system efficacy with typical 140lm/W
- Full range lumen packages for kinds of application
 - BVP431 – up to 14Klm
 - BVP432 – up to 28Klm
 - BVP433 – up to 51Klm
- Multiple lens covers as much as of customer needs
- Less weight max.23% down and fewer windage area max.35% smaller than Tango G3 LED.
- High quality ADC1 diecast aluminum housing and steel bracket
- 500hrs (small and medium housing) and 1000hrs (large housing) salt spray pass for option, IP66 and IK08 protection.
- Robust quality and reliability

Application

- General flood lighting
- Large industrial areas / Car Park Areas
- Billboard
- Airport Apron
- Port & Container Yard
- Building facades
- Transportation Terminals & Tollways
- Recreational Sports Stadium

Product Data

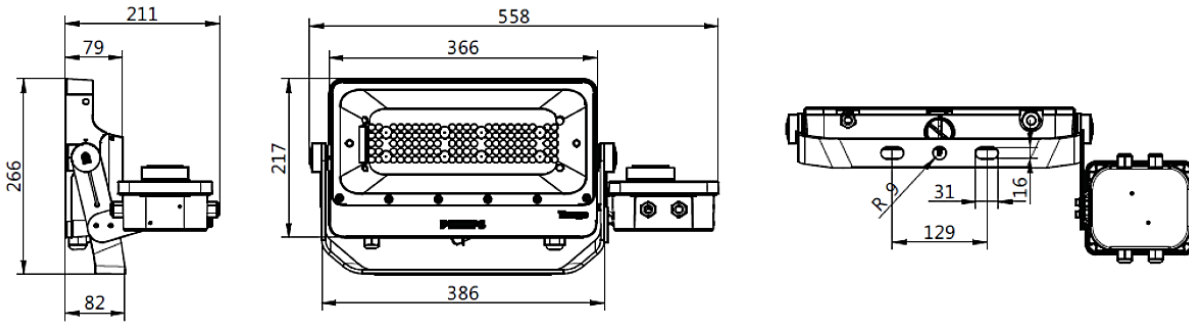
System	Product family codes	BVP431	BVP432
	Flux packages (lm)	up to 13Klm	up to 27Klm
	CCT/color (Flux package based)	4000K	4000K
	CRI (Flux package based)	min. 70	min. 70
	System efficiency	up to 136 lm/W	up to 137 lm/W
	System wattage	max. 100W	max. 200W
	CCT option**	3000K/4000K	3000K/4000K
	SDCM	<5	<5
	CRI option**	80	80
Optics	Application Matrix	Area/Road cross	Area/Road cross
	Target light distribution	SMB/SWB/AMB	SMB/SWB/AMB
	Lens & Optical cover	PC (Makrolon LED5302)	PC (Makrolon LED5302)
Electrical	Input voltage	220-240V,50/60hz,	220-240V,50/60hz,
	Power Factor (full load)	0.95	0.95
	Power Factor (half load)	0.9	0.9
	Dimming/control interface **	1-10V; DALI; Coded Mains; SR	1-10V; DALI; Coded Mains; SR
	surge protection	10KV & 15KV	10KV & 15KV
	Interface to main	1.5m-GM flying cable	1.5m-GM flying cable
	Serviceability Electrical	Driver & SPD	Driver & SPD
	toolless replacement	Gear box	Gear box
Lifetime	Driver lifetime	follow luminaire lifetime requirement	follow luminaire lifetime requirement
	Luminaire lifetime by SRT	50k hours L70B50 @35C Ta outdoor	50k hours L70B50 @35C Ta outdoor
	Warranty	3-year standard warranty	3-year standard warranty
Environment	Operating temperature	-40°C to 50°C	-40°C to 50°C
	IP	IP66	IP66
	IK	IK08	IK08
	Salty spray	500 hours	500 hours
	Wind proof	IEC60598 & ANZ	IEC60598 & ANZ
Mechanical	Dimensions: W*L*H Full size surface size	419X265X85 369*217*79	414X347X100 366*290*77
	Mounting	"U"-shape bracket	"U"-shape bracket
	Tilt angle	360 degree	360 degree
	Housing	Die cast aluminum RAL9007	Die cast aluminum RAL9007
	Bracket	Steel Q235 RAL9007	Steel Q235 RAL9007
	Weight (w/o accessories)	4.4	6.2
	Industrial package	Industrial package (1pc per box)	Industrial package (1pc per box)
Accessories		louvers	louvers
Approbation / Norms	Approbation	CQC/CB/CE/SAA/SASO	CQC/CB/SAA/SASO
	Sustainability (RoHS, REACH, E*...)	RoHS	RoHS

** Options could be customized

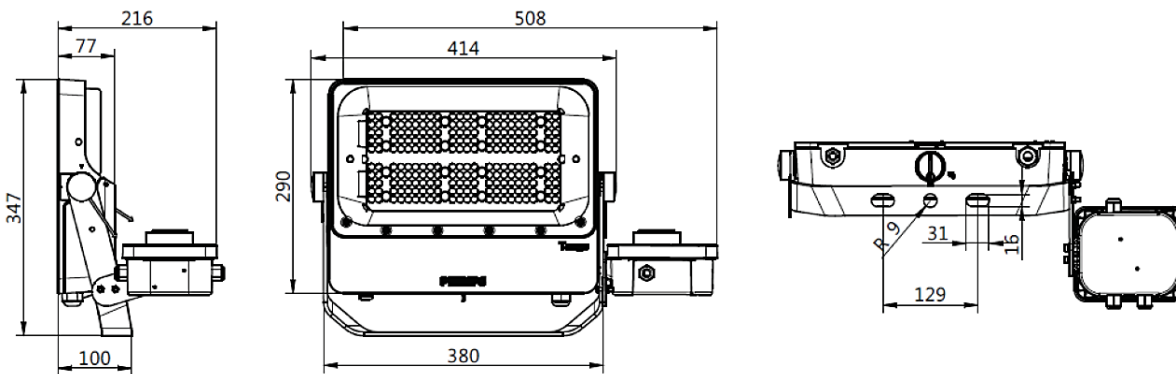
Dimension Drawing

System-ready Version

BVP431



BVP432



Ordering code

EQL Code	12nc	Philips Code	I Table Code
2479848	824110137931	BVP431 LED92/NW 70W SWB P7 ANZ	Gm-101899-019
2479855	824110137941	BVP431 LED136/NW 100W SWB P7 ANZ	Gm-101899-019
2479863	824110137951	BVP432 LED274/NW 200W SWB P7 ANZ	Gm-101899-029
EQL Code	12nc	Philips Code as at 01-07-2021	I Table Code
2479871	824110137961	BVP431 LED136/NW 100W AMB P7 ANZ	Gm-101899-019
2479889	824110137971	BVP432 LED271/NW 200W AMB P7 ANZ	Gm-101899-019
2479897	824110137981	BVP432 LED252/WW 200W AMB P7 ANZ	Gm-101899-019

© 2018 Koninklijke Philips N.V.

All rights reserved. Reproduction in whole or in part is prohibited without the prior written consent of the copyright owner.

The information presented in this document does not form part of any quotation or contract, is believed to be accurate and reliable and may be changed without notice. No liability will be accepted by the publisher for any consequence of its use.

Publication thereof does not convey nor imply any license under patent or other industrial or intellectual property rights.

Version: Sep. 2018



